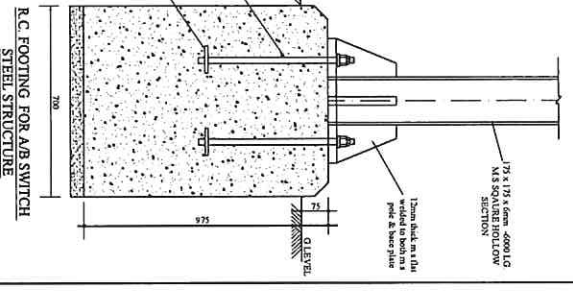
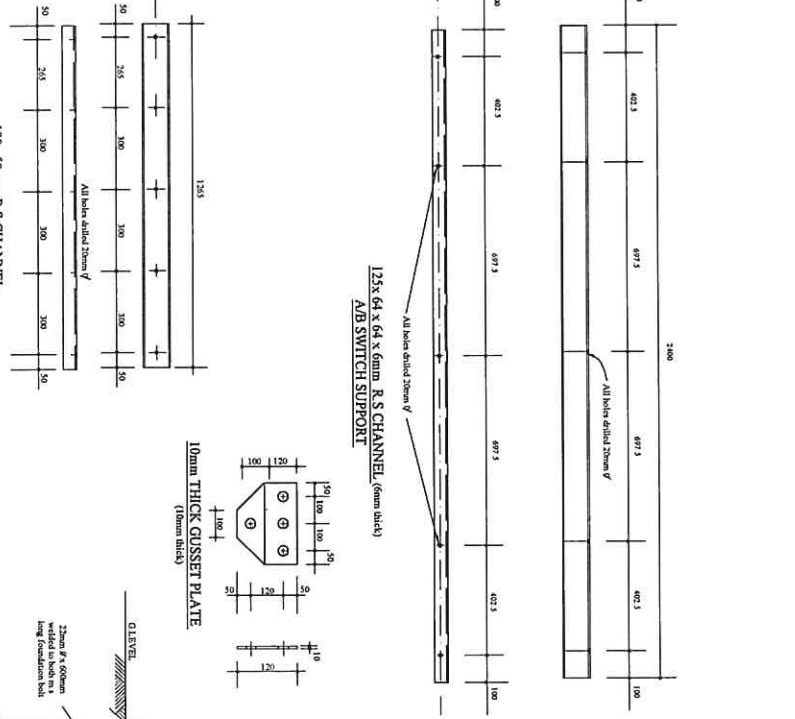


FRONT ELEVATION
 THIS DRAWING WILL BE READ IN CONJUNCTION WITH
 TECHNICAL SPECIFICATION & APPROVALS

NOTES
 This drawing is to be read in conjunction with
 SK. No. 09774 sub 15 & 09126 sub 3/2



GENERAL NOTES:

- 1) Foundations are to rest on a firm stable soil. If at depth 200mm is not reached, the foundations should be carried deeper to reach firm stratum.
- 2) All material to be mild steel to B.C. 4560/4/D
- 3) All steel lengths to be finished and dip-painted with a quantity of Zinc coating to withstand tests of 1.75.
- 4) Bolt threads are to be rest with steel disc after galvanizing and rest on the other

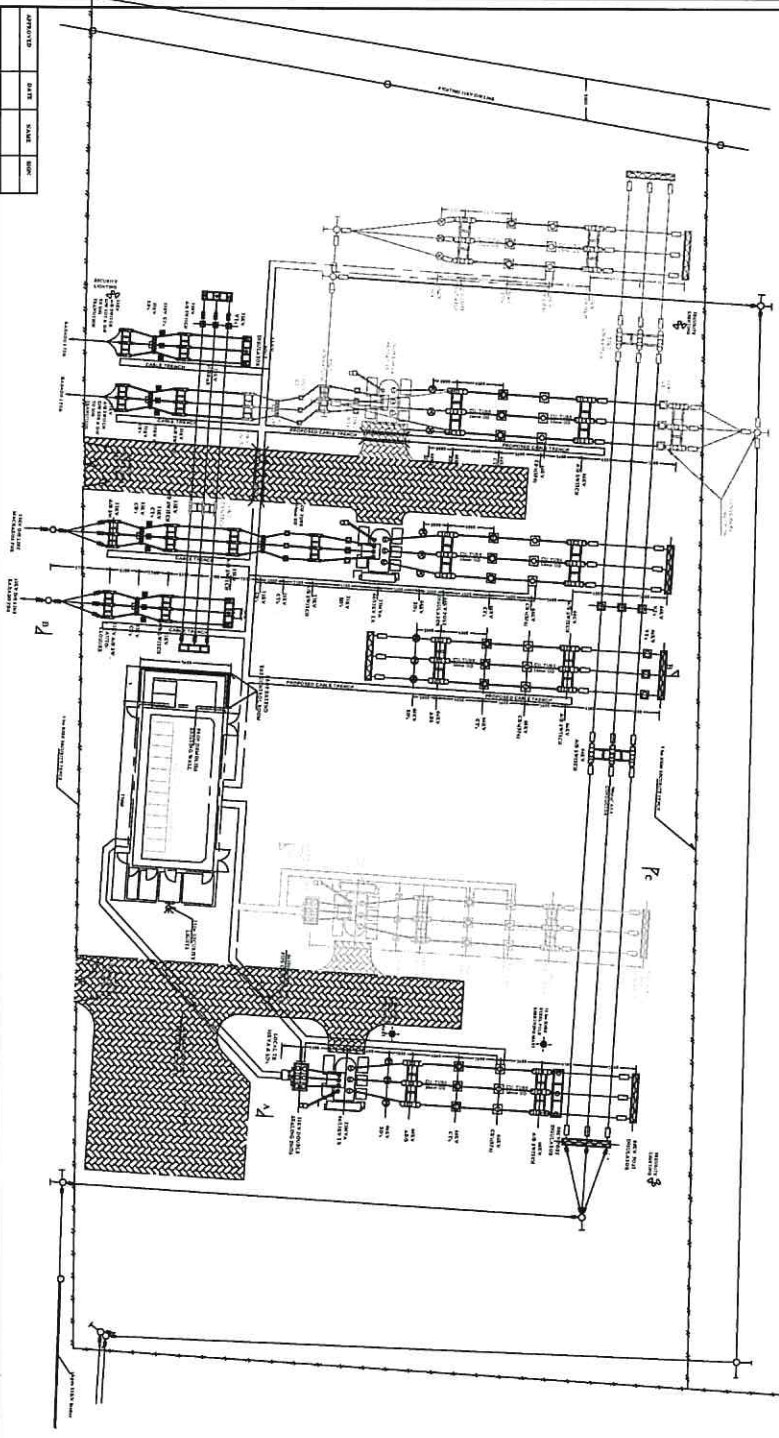
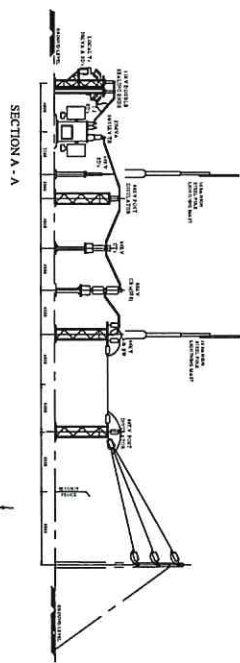
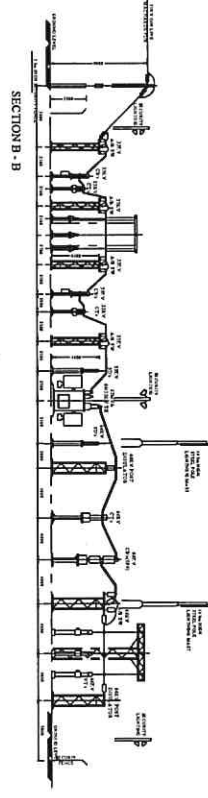
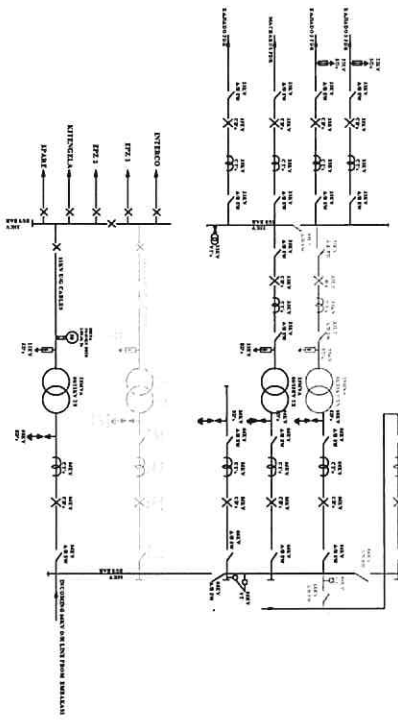
APPROVED	DATE	NAME	SIGN

REF	REVISION	DATE	SIGN	CHECKED	DATE
1					
2					
3					
4					
5					
6					

**DETAILS OF STEEL STRUCTURE FOR
 33KV A/B SWITCH (5m HIGH)**

K. P. & L. Co. Ltd
 SK. No. 09774





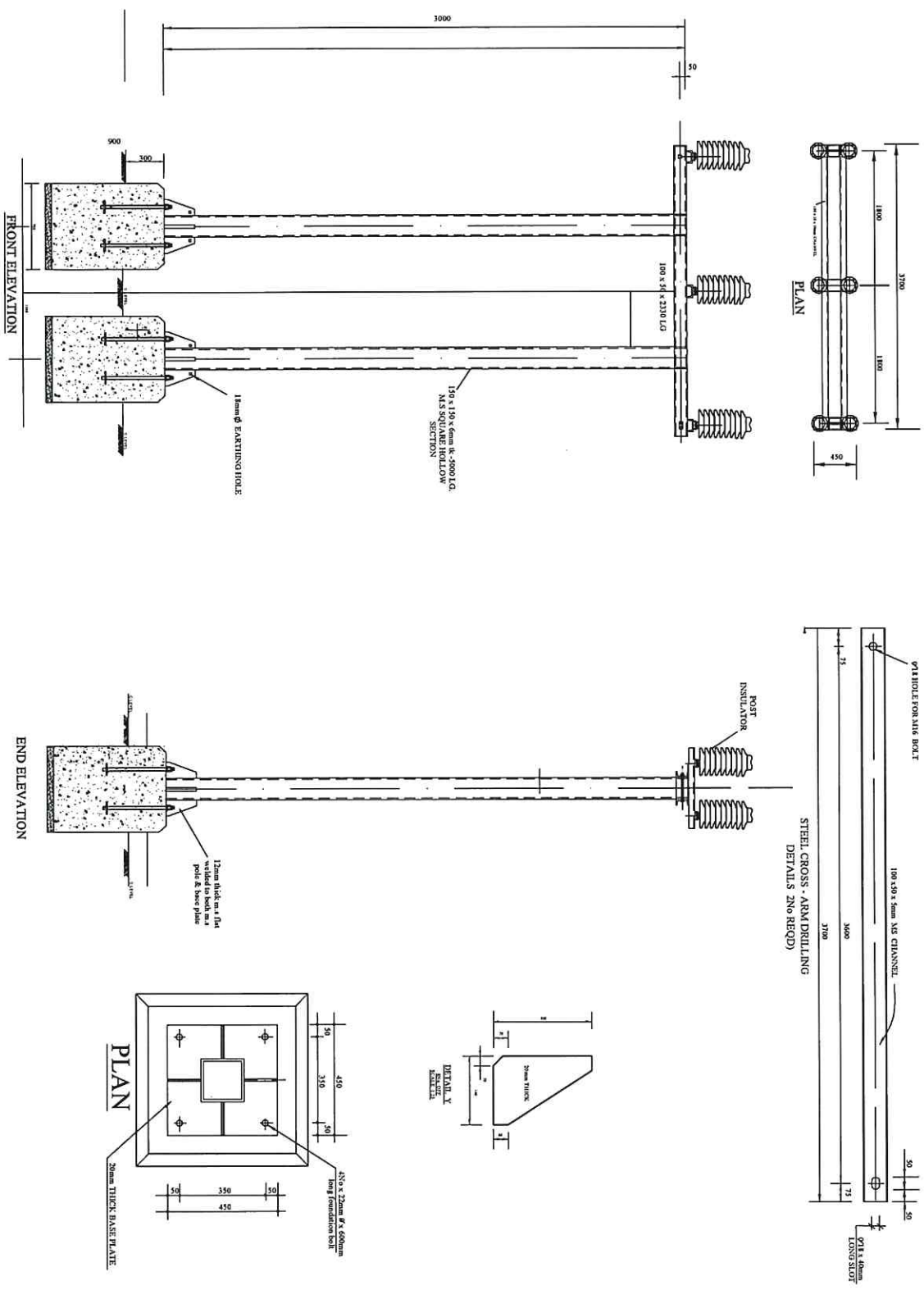
NO.	REVISION	DATE	BY	CHKD.
1				
2				
3				
4				
5				
6				
7				
8				
9				
10				
11				
12				
13				
14				
15				
16				
17				
18				
19				
20				
21				
22				
23				
24				
25				
26				
27				
28				
29				
30				
31				
32				
33				
34				
35				
36				
37				
38				
39				
40				
41				
42				
43				
44				
45				
46				
47				
48				
49				
50				
51				
52				
53				
54				
55				
56				
57				
58				
59				
60				
61				
62				
63				
64				
65				
66				
67				
68				
69				
70				
71				
72				
73				
74				
75				
76				
77				
78				
79				
80				
81				
82				
83				
84				
85				
86				
87				
88				
89				
90				
91				
92				
93				
94				
95				
96				
97				
98				
99				
100				

GENERAL ARRANGEMENT OF 66/11KV & 66/33KV EPZ SUBSTATION -
SHOWING ADDITIONAL IX

SCALE: 1:1200

KENYA POWER
SK. No. 09666

SHEET 2B



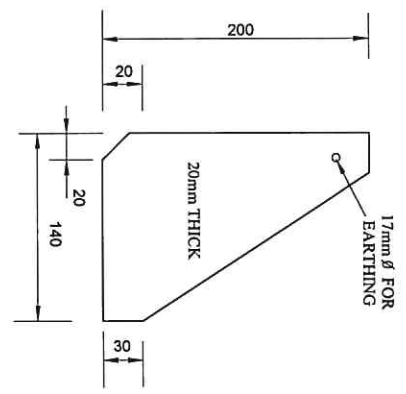
NO.	DESCRIPTION	QTY	UNIT	REMARKS
1	150 x 150 x 6mm H. 3000 LG. N.3 SQ. SECTION	1	PC	
2	180 x 50 x 230 LG.	2	PC	
3	100 x 50 x 5mm MS CHANNEL	2	PC	
4	12mm thick m x m flat	2	PC	
5	30mm thick base plate	1	PC	
6	15mm ϕ earthing hole	2	PC	

66KV POST INSULATOR STRUCTURE

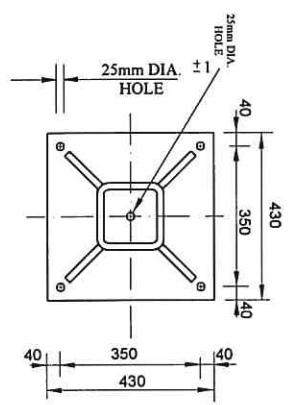
SCALE : 1 : 100

K. P. & L. Co. Ltd
SK. No.08409C

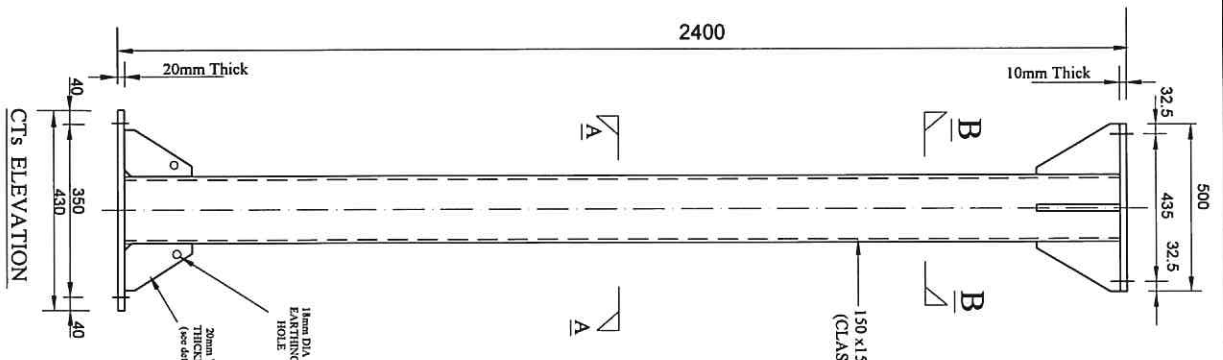




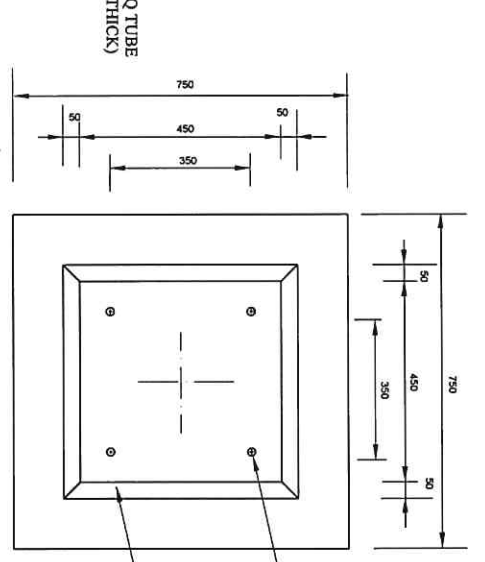
DETAIL Y
8No. OF
SCALE 1:25



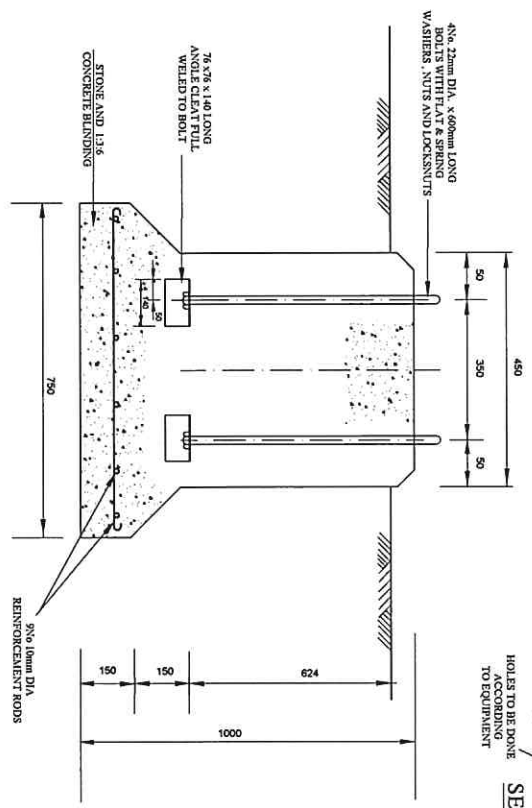
SECTION A-A



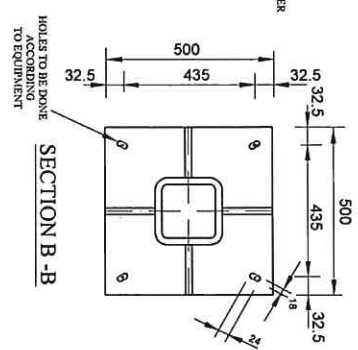
CTS ELEVATION



FOUNDATION PLAN



FOUNDATION PLAN



SECTION B-B

APPROVED	DATE	NAME	SIGN

CHECKED	ENGINEER/IC	DATE	REVISION	DATE	SIGN	CHECKED	DATE
	B. Galibio						
	PRINCIPAL D/MAN						

CHECKED	ENGINEER/IC	DATE	REVISION	DATE	SIGN	CHECKED	DATE
	B. Galibio						
	PRINCIPAL D/MAN						

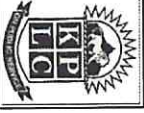
CHECKED	ENGINEER/IC	DATE	REVISION	DATE	SIGN	CHECKED	DATE
	B. Galibio						
	PRINCIPAL D/MAN						

DETAILS OF 33& 11KV CTS & VTS. STRUCTURE - STEEL

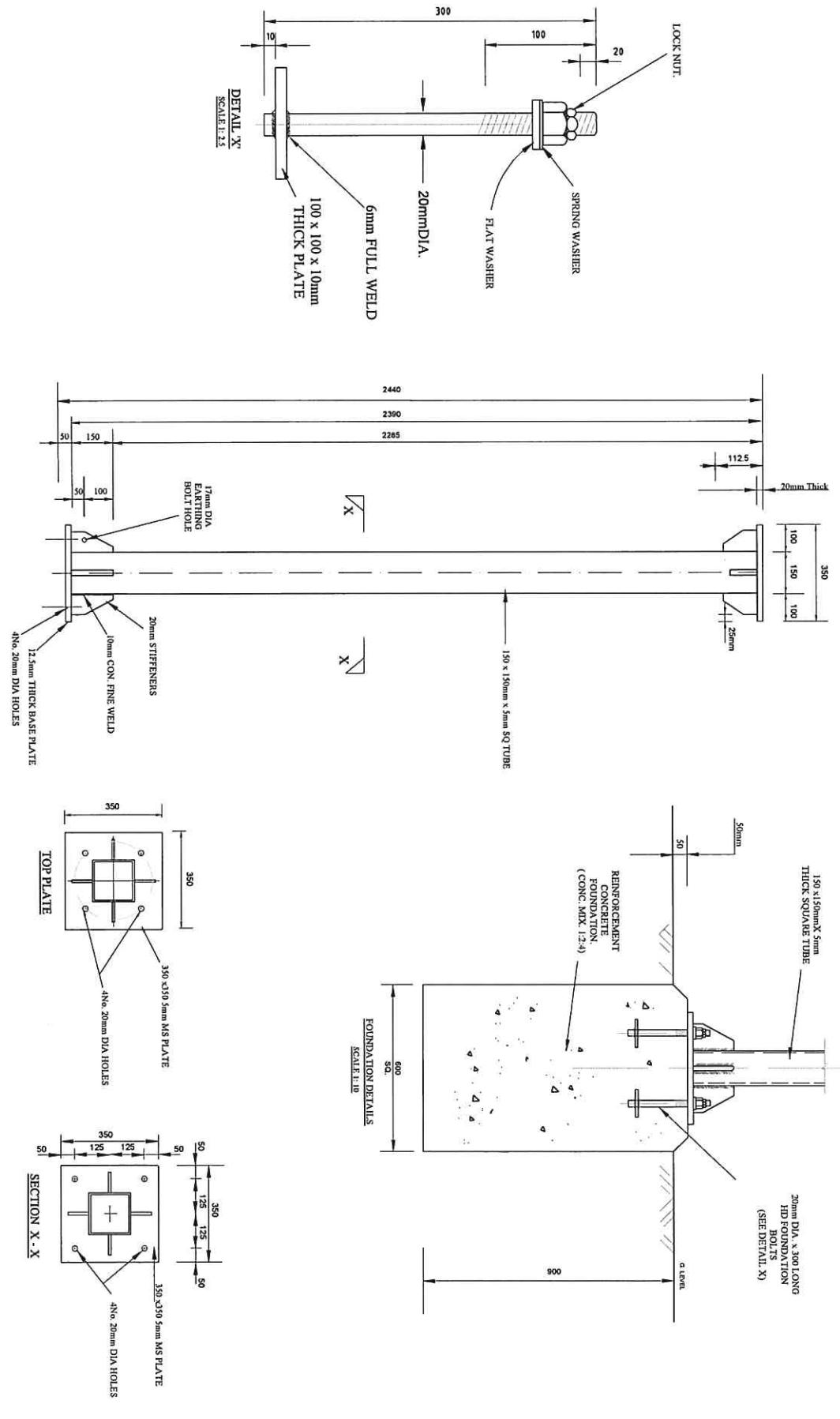
SCALE 1:10

K. P. & L. Co. Ltd

SK. No.09774



SHEET 18



SHEET 3F

S/Ds ELEVATION

APPROVED	DATE	NAME	SIGN

CHECKED ENGINEER I/C	B. Gadhoo
CHECKED PRINCIPAL DRAWMAN	S.M. Kiriwani
DRAWN	21/07/2009
TRACED	

REF	REVISION	DATE	SIGN	CHECKED	DATE
1					
2					
3					
4					
5					
6					

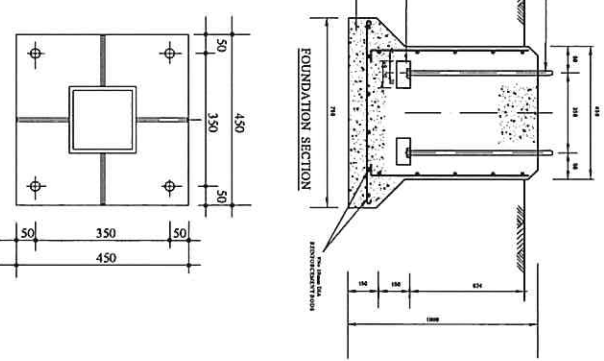
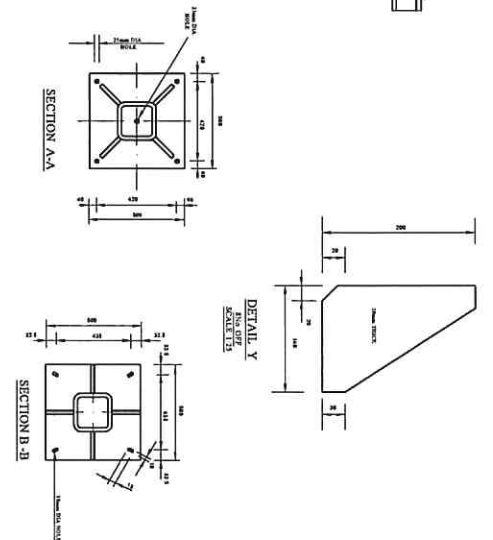
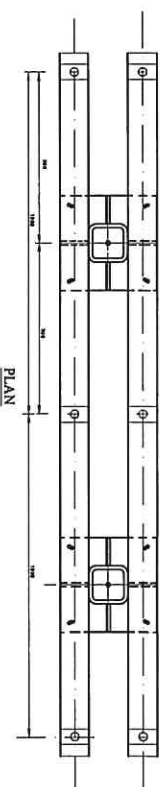
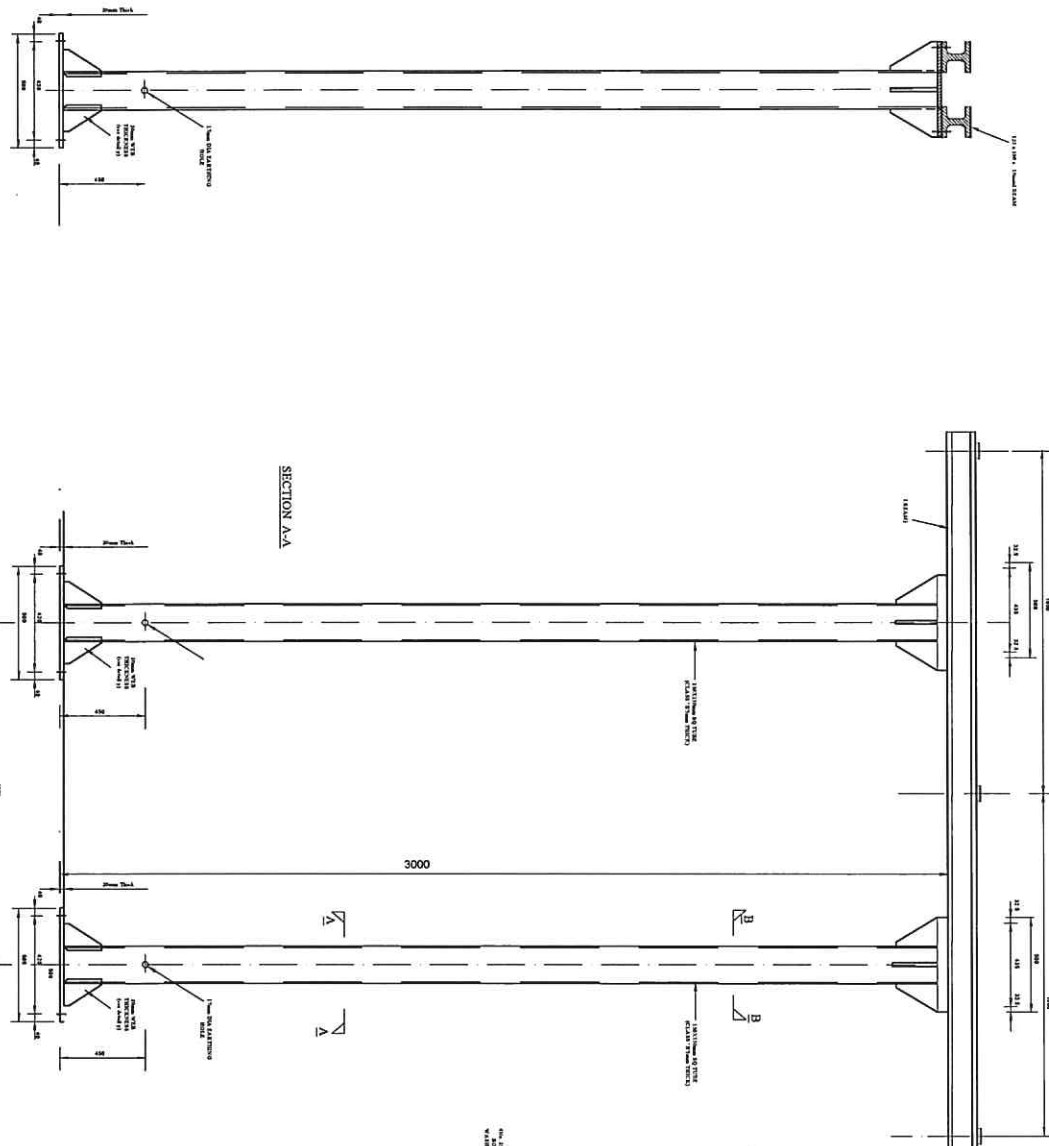
**DETAILS OF 66KV SURGE DIVERTERS
STRUCTURE - STEEL**

SCALE 1:100

K. P. & L. Co. Ltd

SK. No.08409





DETAILS OF 20mm THICK
PLATE BASE
(6mm thick)

SHEET 3D

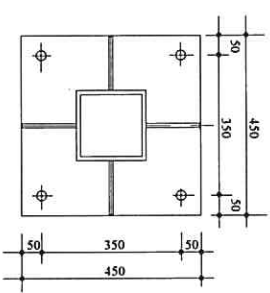
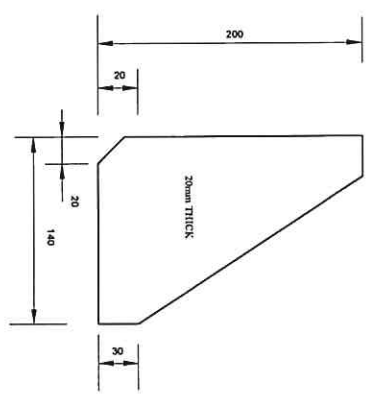
APPROVED	DATE	NAME	JOB
DESIGNED			
CHECKED			
PROJECT MANAGER	11/07/08	S. K. SINGH	
DRAWN	11/07/08	S. K. SINGH	
TAKEN			

REV	REVISION	DATE	BY	CHECKED	DATE
1					
2					
3					
4					
5					

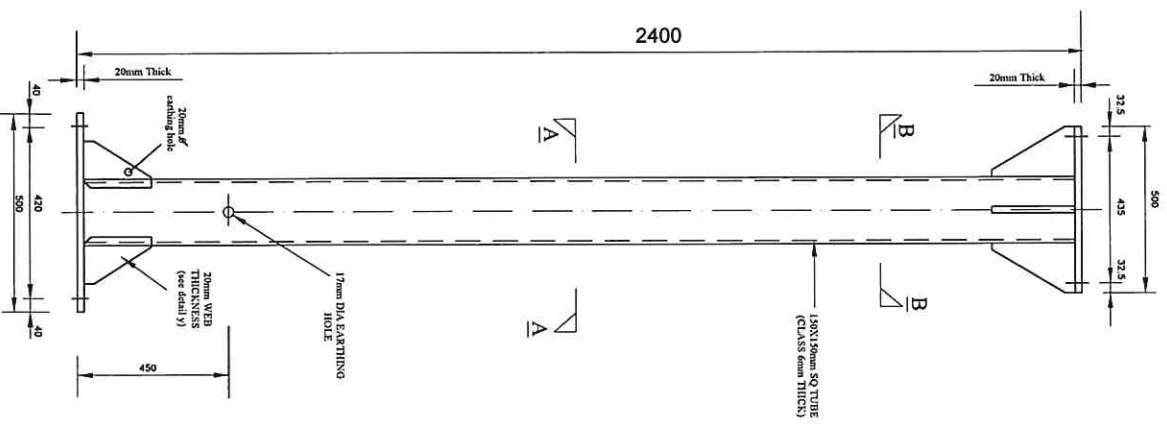
DETAILS OF 66KV ISOLATOR STRUCTURE - STEEL

K. P. & L. Co. Ltd
SK. No.08409

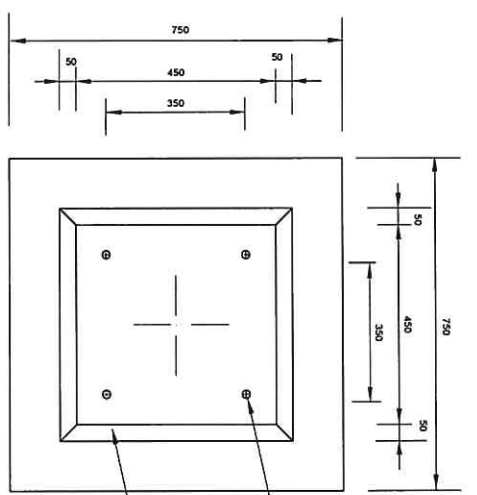




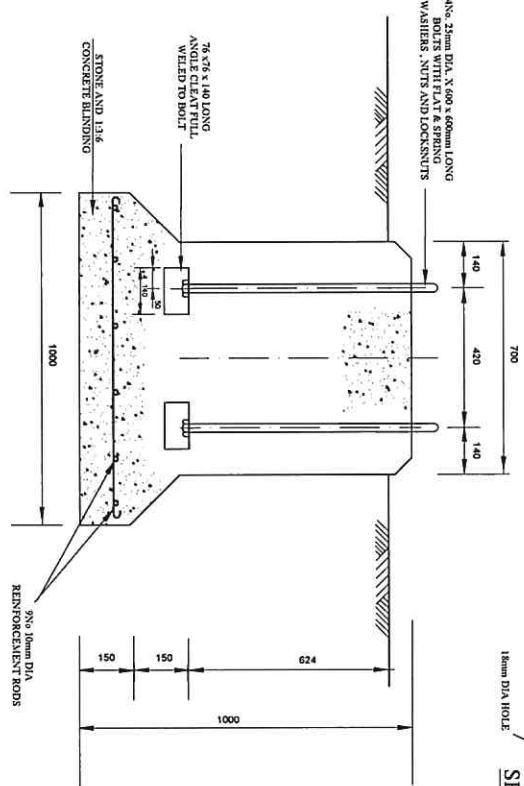
DETAILS OF 20mm THICK PLATE BASE (6mm thick) SECTION A-A



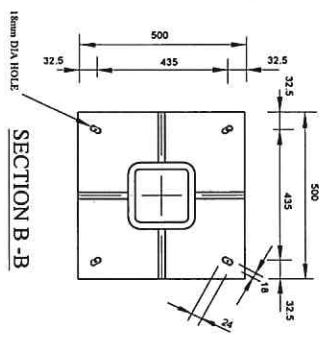
CTs ELEVATION



FOUNDATION PLAN



FOUNDATION PLAN



SECTION B-B

APPROVED	DATE	NAME	SIGN

CHECKED ENGINEER IJC			
CHECKED PRINCIPAL DPMAN		B. Galiba	
DRAWN	21/07/2009	S.M.Kinnani	Kinnani
TRACED			

REF	REVISION	DATE	SIGN	CHECKED	DATE
1					
2					
3					
4					
5					
6					

DETAILS OF 66KV CTs & VTs STRUCTURE - STEEL

SCALE 1:10

K. P. & L. Co. Ltd

SK. No.08409



SHEET 3C